

Installing manual additional amplifier input protection

To increase the protection of the low noise amplifier input circuits, add two BAV99 diode assemblies in series between the amplifier's input terminal and ground. According to the following scheme:

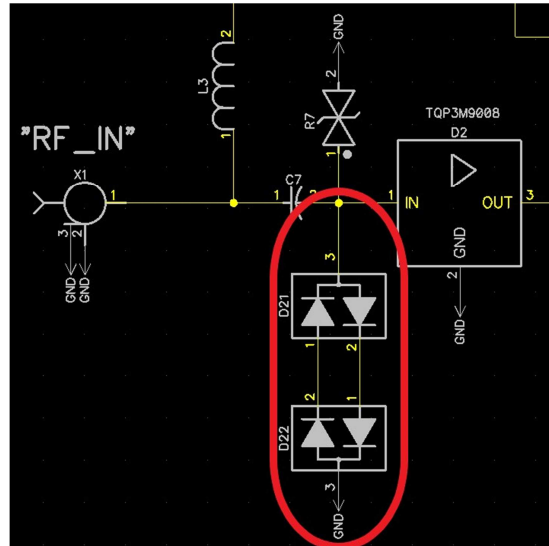


Photo of the board after completion:

